

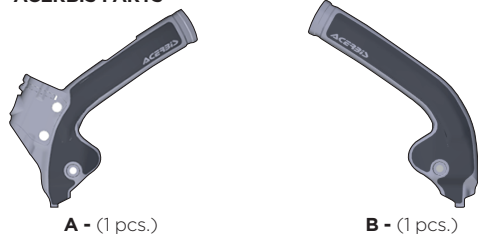
X-GRIP FRAME GUARD KTM SX 85 2018

PARATELAIO X-GRIP KTM SX 85 2018



COD. 500005750

ACERBIS PARTS



A - (1 pcs.)

B - (1 pcs.)



C - (3 pcs.)

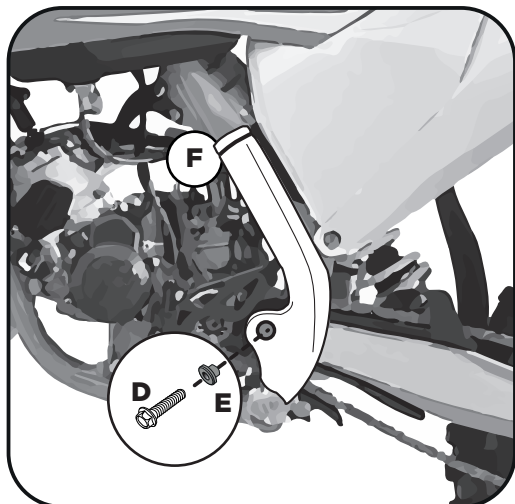
O.E.M PARTS:



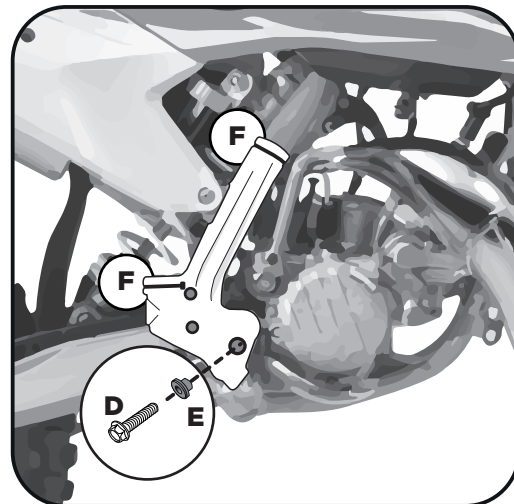
D - (2 pcs.)



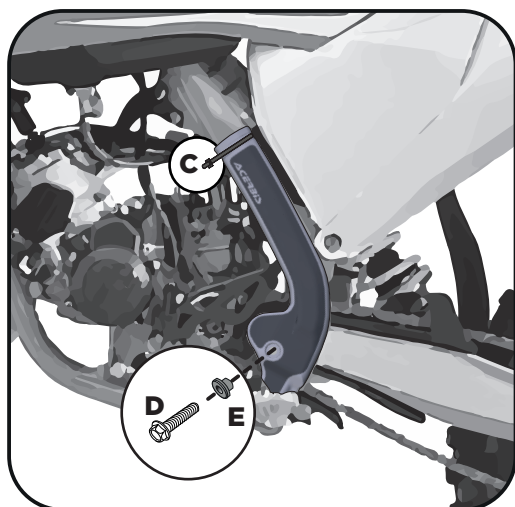
E - (2 pcs.)



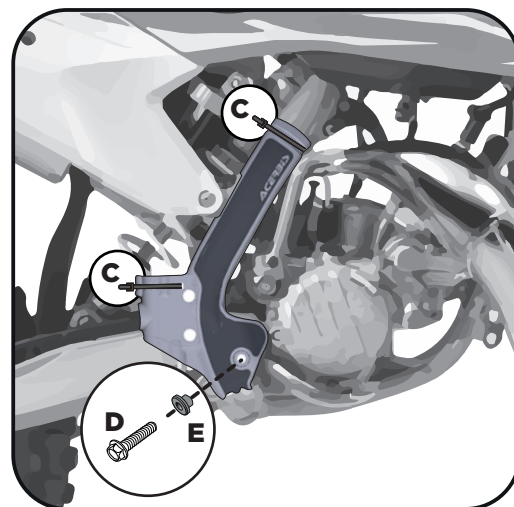
1. Rimuovere le parti originali: la vite (D) la boccola (E) la fascetta (F) e il paratelaio.
Remove the original parts: the screw (D) the bush (E) the plastic strip (F) and the frame guard.



2. Rimuovere le parti originali: la vite (D) la boccola (E) le fascette (F) e il paratelaio.
Remove the original parts: the screw (D) the bush (E) the plastic strip (F) and the frame guard.



3. Montare il paratelaio X-GRIP Acerbis usando la vite (D) la boccola (E) e la fascetta (C) inclusa nel kit.
Assemble the Acerbis X-GRIP frame guard using the screw (D) the bush (E) and the plastic trip (C) included in the kit.



4. Montare il paratelaio X-GRIP Acerbis usando la vite (D) la boccola (E) e le fascette (C) incluse nel kit.
Assemble the Acerbis X-GRIP frame guard using the screw (D) the bush (E) and the plastic trip (C) included in the kit.

WARNING!

Use at your own risk. Check the security of your device before you ride. Be sure that you follow the instructions installing the Acerbis products. Do not ride if there is missing or damaged hardware. If this is the case, take the item immediately back to your dealer. Make sure the throttle and other controls are free every time you ride. Lack of attention to instruction and warning could lead to interference with the controls, loss of control, and an accidents. Acerbis recommends that installation must be done by a licensed mechanic and that only Acerbis is original parts are used during fitting. Acerbis makes no guarantees or representations, express or implied, regarding the fitness of its products for any particular purpose. Acerbis makes no guarantees or representations, express or implied, regarding the extent to which its product protect individuals or property from injury or death or damage.

ACERBIS ITALIA S.P.A. VIA SERIO, 37 - 24021 ALBINO (BG) - ITALY

Phone +39 035773577 - Fax +39 035773570 - INFOMOTO@ACERBIS.IT - WWW.ACERBIS.COM

ACERBIS U.S.A. Inc.

MAIL P.O. BOX 2030 SUN VALLEY, ID 83353 SHIP 110 LINDSAY CIRCLE KETCHUM, ID 83340

Phone (800) 659-1440 - Fax (208) 726-7039 - INFOUSA@ACERBIS.COM

ACERBIS U.K. Ltd

UNIT 2 LUTON ENTERPRISE PARK SUNDON PARK ROAD LUTON, BEDFORDSHIRE LU3 3GU GREAT BRITAIN

Phone +44 1582491076 - Fax +44 1582499639 - UKINFO@ACERBIS.IT